



PRODUCT DESCRIPTION
PAR30I LED FLOOD/SPOT

REPLACEMENT FOR PAR, BR AND A LAMPS OF
 30 TO 90 WATTS

SAVES UP TO 80% OF THE ENERGY

ALMOST NO UV

FULLY DIMMABLE

CLEAR, BRIGHT WHITE LIGHT



MADE IN THE USA

PAR30I FEATURES AND BENEFITS

VERY LOW POWER USE	The PAR30I lamp can pay for itself in power saving alone in less than 2 years.
VERY LONG LIFE	The PAR30I can last 133 times longer than a typical A style lamp and 40 times longer than a typical PAR or BR lamp.
VERY LOW HEAT	The PAR30I lamp generates 75% less heat than a standard lamp and has no projected heat reducing damage to fixtures, displays and making its environment more pleasant.
VERY LOW UV	With almost no emitted UV, light from the PAR30I will help prevent fading of surroundings.
UNBREAKABLE	The shatter resistant polycarbonate safety housing is nearly indestructible and there are no fragile filaments to be broken by handling or vibrations.
CLEAR, BRIGHT LIGHT	The bright, clean light of the PAR30I enhances color contrast and color rendering, making objects and surroundings appear crisp and vibrant.



Revolutionary new LED Power Pack technology make this proprietary design the first LED lamp for use in general lighting applications. Available in four light output levels to replace lamps of up to 30 Watts, 50 Watts, 90 Watts and all the lamps in between. Four beam spreads give light distribution from narrow spot to very wide flood.

SAVINGS IN ENERGY, LAMP REPLACEMENT AND LABOR
 CAN MAKE THIS LAMP THE BEST EVER

**USE IN RECESSED, DOWNLIGHT, TRACK LIGHT, ACCENT AND TASK LIGHTING FIXTURES
 FOR ALL GENERAL LIGHTING AND THESE SPECIAL APPLICATIONS**

GENERAL LIGHTING DISPLAY AREAS	The bright, clean light of the PAR30I and its very low UV and heat make it an excellent lamp for artwork, display cases, cloth and other sensitive materials.
ACCENT LIGHTING	The crisp, white light of the PAR30I makes it the perfect choice for hi-lighting jewelry, cosmetic accessories, plantings, displays and interior architectural design.
REFRIGERATION	The PAR30I operates down to -20°F and generates very little heat making it a natural for refrigerated storage and displays.
HARD TO REACH AREAS	Since the PAR30I seems to last forever it is the obvious choice for lighting that is hard to maintain.
ROUGH SERVICE AREAS	The polycarbonate safety housing is very strong and having no fragile filaments means it will last for a long time as a work light, equipment task light and in high vibration areas.

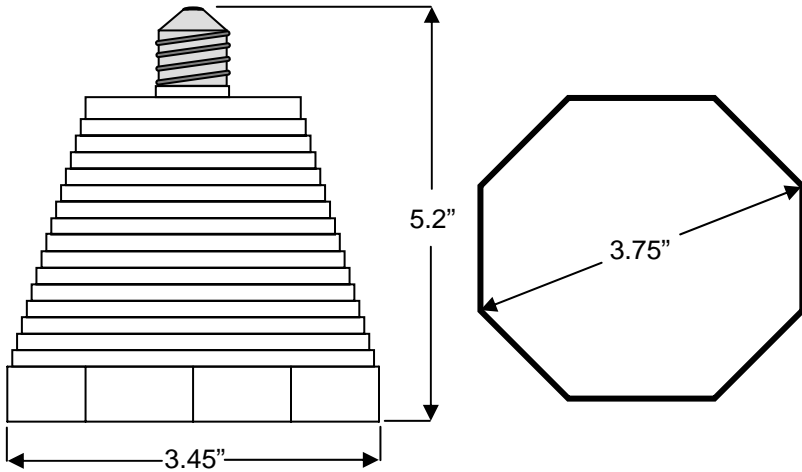
SOLID STATE LIGHTING OF THE FUTURE IS ALREADY AVAILABLE FROM FIREFLY

Phone (770) 980-9075
 www.firefly-technology.com

PO Box 680384, Marietta, GA 30068-0007

Fax (770) 951-0489
 info@firefly-technology.com

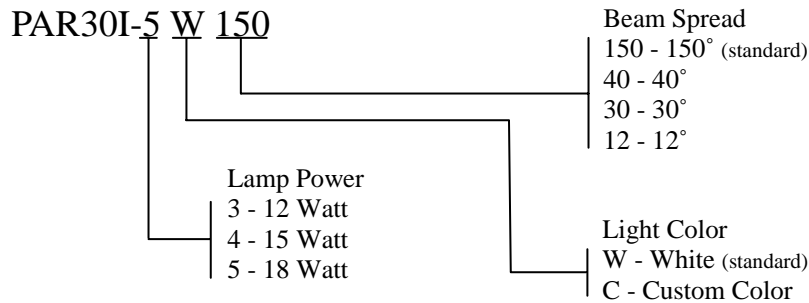
PRODUCT DESCRIPTION
PAR30I LED FLOOD/SPOT



PAR30I GENERAL SPECIFICATIONS			
Volts	Maximum Overall Length	Maximum Diameter	Light Center Length
AC 120V±10V	5.2"	3.75"	3.7"

PAR30I INDIVIDUAL LAMP SPECIFICATIONS		
LAMP SIZE	AVG WATTS	REPLACES
3	12W	30 Watt
4	15W	50 Watt
5	18W	70 Watt

PAR30I PART NUMBERS



CALL FIREFLY—WE CAN MAKE IT EASY

FREE COST AND SAVINGS ANALYSIS
FIND OUT HOW TO HAVE YOUR LIGHTING UPGRADED WITHOUT PAYING FOR IT
PURCHASE TERMS AND CONDITIONS

SOLID STATE LIGHTING OF THE FUTURE IS ALREADY AVAILABLE FROM FIREFLY

Phone (770) 980-9075
 www.firefly-technology.com

PO Box 680384, Marietta, GA 30068-0007

Fax (770) 951-0489
 info@firefly-technology.com